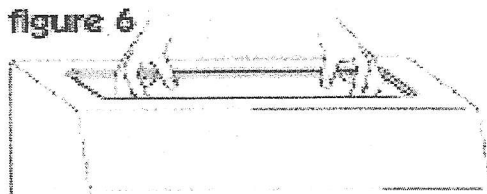


## PERFORMING MAINTENANCE FOR THE AIR PURIFIER

### Replacing the Ultraviolet Lamp

When the yellow. UV Lamp indicator lights the ultraviolet lamp should be replaced within 30 days. Follow the step by step procedure below

1. Unplug the Purifier power cord from the electrical outlet.
2. Using index fingers, squeeze the locking tabs (figure 6) towards the center of the grill on top of the purifier. Lift the grill up and remove.



3. Rotate the UV lamp one-quarter turn top to rear (Figure 7) and remove lamp.
4. Insert the new UV lamp in place and install by rotating one-quarter turn (top to front)

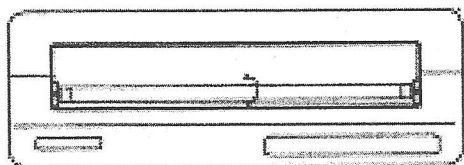


figure 7

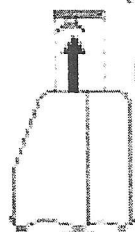


figure 7a

5. Replace grill removed in previous step 2 by pressing in into position until it locks. The aluminum reflector must be positioned over the lamp nearest the front of the unit (Figure 7)
6. Reset UV lamp timer by lightly pressing the related **RESET** button on the service Panel with a pin or similar object. The UV Lamp OK light will return to green and time will again be counted from zero.

### Replacing the filters

When the yellow filter indicator lights, the filter package should be replaced within 30days.follow the step by step procedure below.

1. Unplug the Purifier power cord from the electrical outlet.

figure 8

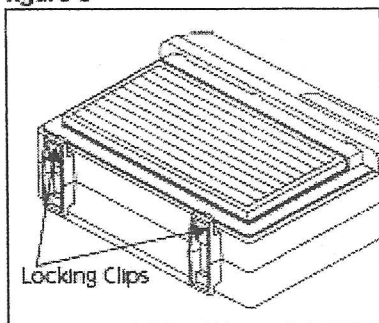


figure 9

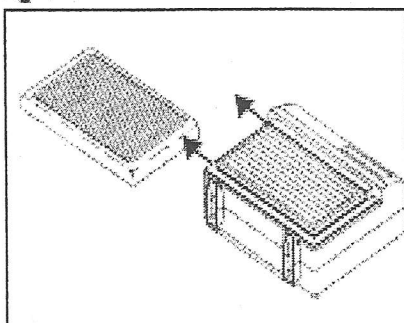
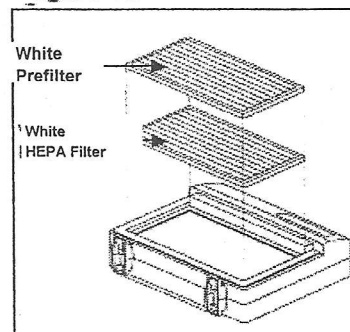


figure 10



2. Rest the purifier on its back (Figure 8) to access the bottom of the unit.
3. Press-in the locking clips at each end of front grill.  
Lift the bottom of front grill upwards and slide out (Figure 9)
4. Pull out the two filters individually, and discard them.
5. Install new HEPA filter in lower slot with its white layer facing up
6. Install new PRE-FILTER on top of the HEPA Filter with its white layer facing up
7. Replace front grill by inserting top tabs in upper slots and snapping bottom into clips.
8. reset the filter timer by lightly pressing the **Reset** button with a pin or similar object. The filter OK light will become green and time will again be counted from zero.

Distributed by:

**TEKEVENT**

PO Box 569, Round Corner NSW 2158 Australia  
Tel: 61 (0)408 491 516 Fax: 61 (2) 9654 1747  
E-mail: [info@tekevent.com](mailto:info@tekevent.com)  
Website: [www.tekevent.com](http://www.tekevent.com)